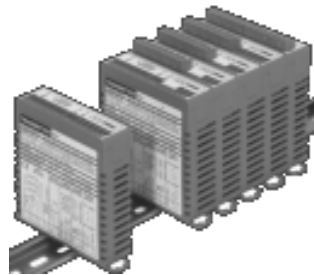


Loop Isolator Model DPM-9600 AL



DESCRIPTION

Model DPM-9600 AL

The Model DPM-9600 AL is a miniature space saving DIN rail mount loop powered isolator designed specifically to eliminate ground loop measurement problems.

The unit generates an output current to flow in a load which is the same as the input current but galvanically isolated.

The unit boasts galvanic isolation in excess of 1000V between input and output and requires no additional power supply. The Model DPM-9600 AL can be factory fitted with 1 or 2 loop isolators in the same housing. The dual unit can also be used to obtain two isolated outputs from on input (wire in series).

FEATURES

- DIN rail mount 92 x 92 x 26 mm enclosure, UL 94 V-0 flame retardant plastic
- Low cost - high performance design
- Loop powered – no additional power supply required
- 0 – 30mA input/output current
- Galvanic isolation between input and output > 1000V
- Less than 0.25% transmission error and linearity error
- 1 or 2 loop isolators can be ordered in the same enclosure
- Meets European EMC directive 89/336/EEC & Low Voltage directive 73/23/EEC
- 3 year guarantee

TECHNICAL SPECIFICATION

Max input current	30mA
Max output load	500 Ohms
Volt drop	< 4V
Galvanic Isolation	> 1000V
Transmission error	typically < 0.25%
Load change error	0.03% per 100 Ohm
Frequency Response	0.5 ms
Input Protection	30V Overload and reverse voltage protected

ENVIRONMENTAL

Operating temperature range	0°C to +50°C
Storage temperature range	-40°C to +80°C
Humidity	< 85% non-condensing

E

Loop Isolator Model DPM-9600 AL

Andreas Lang GmbH
 Industrievertretung & Service
 Bahnhofstraße 33
 D - 61137 Schöneck
 Telefon: +49 (0) 6187 88 54
 +49 (0) 6187 88 60
 Telefax: +49 (0) 6187 88 71
 WebSite: www.alanggmbh.de
 E-Mail: info@alanggmbh.de

MECHANICAL SPECIFICATIONS

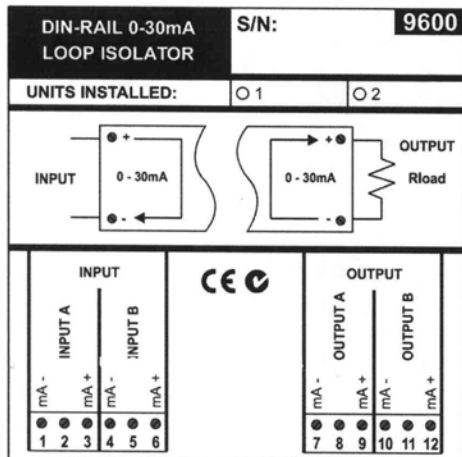
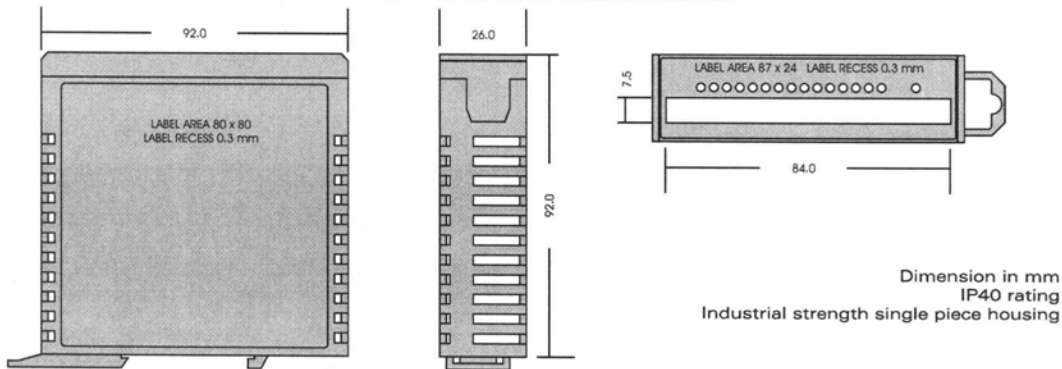
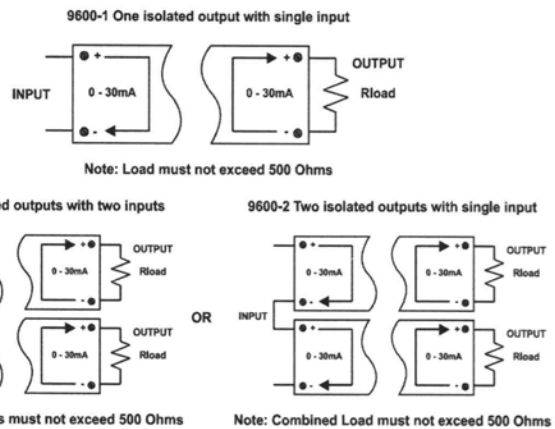
 Dimensions
 Protection

 DIN rail mount 92x92x26mm enclosure, IP40 rating
 Industrial strength, UL 94 V-0 flame retardant ABS plastic

SPECIFICATION & CONNECTION DIAGRAM
REGULATORY COMPLIANCE

Regulatory requirements

Complies with EC Directives 89/336/EEC & 73/23/EEC

HOUSING DIMENSIONS

Application Examples

GUARANTEE

This product is guaranteed against faulty workmanship or defective material, for a period of 3 (three) years from date of delivery by Andreas Lang GmbH.

Andreas Lang GmbH undertakes to replace without charge all defective equipment which is returned to it (transportation costs prepaid) during the period of guarantee, provided there is no evidence that the equipment has been abused or mishandled in any way. Andreas Lang GmbH reserves the right to alter any specification without notice.

E	Loop Isolator Model DPM-9600 AL	Andreas Lang GmbH Industrievertretung & Service Bahnhofstraße 33 D - 61137 Schöneck Telefon: +49 (0) 6187 88 54 +49 (0) 6187 88 60 Telefax: +49 (0) 6187 88 71 WebSite: www.alanggmbh.de E-Mail: info@alanggmbh.de
----------	--------------------------------------------------	---------------------------------------------------------------------------------------------------------------------------------------------------------------------------------------------------------------------------------------------------

• Andreas Lang GmbH reserves the right to alter any specification without notice.
 • © Andreas Lang GmbH
 • Stand Januar 2003